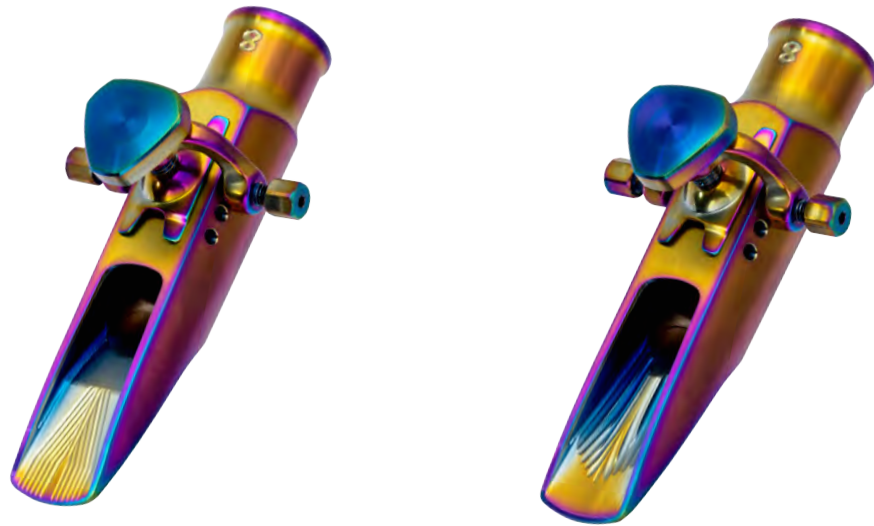




BLAST x Saxophone

Taiwan Craftsmanship · Non-Toxic · Innovation

Saxophone Mouthpiece



MODEL:

BLAST 1

BLAST 2

FEATURES: *To focus the airflow producing a crisp and bright tone.*

To diffuse the airflow producing a rich and powerful tone.

MATERIAL: *The main body is made of titanium alloy and is integrally formed using 5-axis CNC machining. The buckle is made of SUS304 stainless steel.*

COLOR: **Rainbow titanium**

PVD titanium dioxide photocatalyst, non-toxic and antibacterial, which helps to produce a mellow tone.

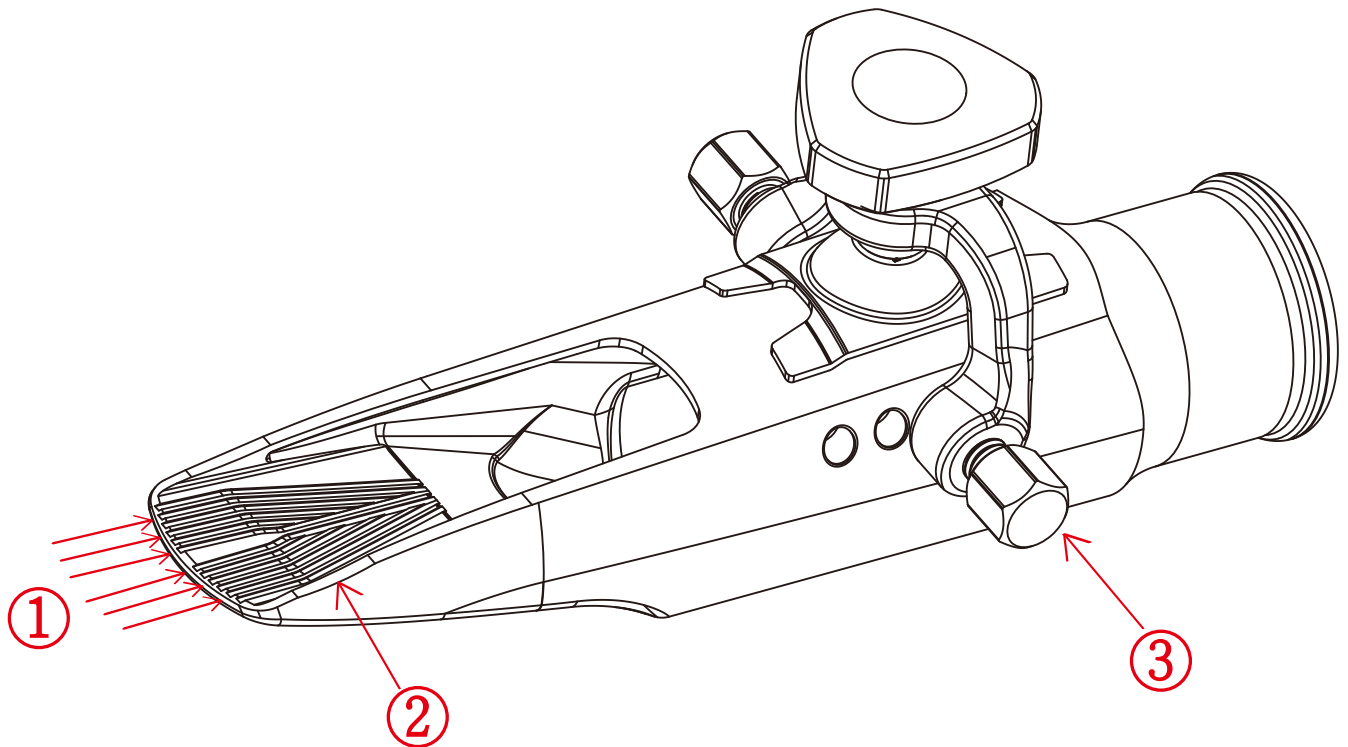
Golden titanium

PVD titanium nitride, with a hardened, non-stick surface, non-toxic, and stain-resistant, which helps to produce a resonant tone.

Silver titanium

Pure titanium alloy without any surface treatment, non-toxic and resistant to acids and alkalis, preserving the pure and clean tone of titanium.

U4 Saxophone Mouthpiece Design Features



1, Special air channel design:

Currently, there are two different types of air channels, Blast1 and Blast2 , Each has its own unique features.

2, Curved groove design on both sides:

The increased oscillation space for the reed allows for better control, as the soft and moist reed no longer sticks.

3, Balance screw design on both sides:

The ligature and mouthpiece body only have two points of contact, eliminating the drawback of being tightly bound around the entire circumference, allowing for unrestricted sound transmission.

Tip opening size of the mouthpiece : /mm

NO	# 3	# 4	# 5	# 6	# 7	# 8	# 9
Soprano	1.15	1.3	1.45	1.6	1.75	1.9	2.05
Alto	1.4	1.55	1.7	1.9	2.1	2.3	2.5
Tenor	1.9	2.05	2.2	2.4	2.6	2.8	3.0



UFOR ENTERPRISE Co., Ltd.

We are from TAIWAN, can provide customized designs

Website: <https://www.ufor.com.tw> Mail: you.for@msa.hinet.net

Address: No.432, Sec. 1, Dongsi 5th Rd., Da-an Dist., Taichung City 43964, Taiwan